

Thermostatic Bar Shower

Introduction

The FRESSSHthermostatic bar shower, featuring anti-scald technology. Combined with a modern shower riser, large stainless steel soaker & multi-function handset, providing essential safety and style to any bathroom



- Anti-scald thermostatic technology with fail safe protection
- Large bore anti-twist smooth hose
- Temperature stability $\pm 2^{\circ}\text{C}$
- Fast fix brackets as standard
- WRAS& TMV2 approved (valve only)
- Pushbutton handset with aerating spa jet and spray
- Fully adjustable riser with large stainless steel soaker and push button handset with aerating spa function
- Safe touch valve body with stylish, ergonomic metal handles

■ Product Range

FRESSSHDeluxeDual Outlet Round Bar Shower with Adjustable Riser, Stainless Steel Soaker, Push Button Handset & Smooth Hose	13550301
--	----------

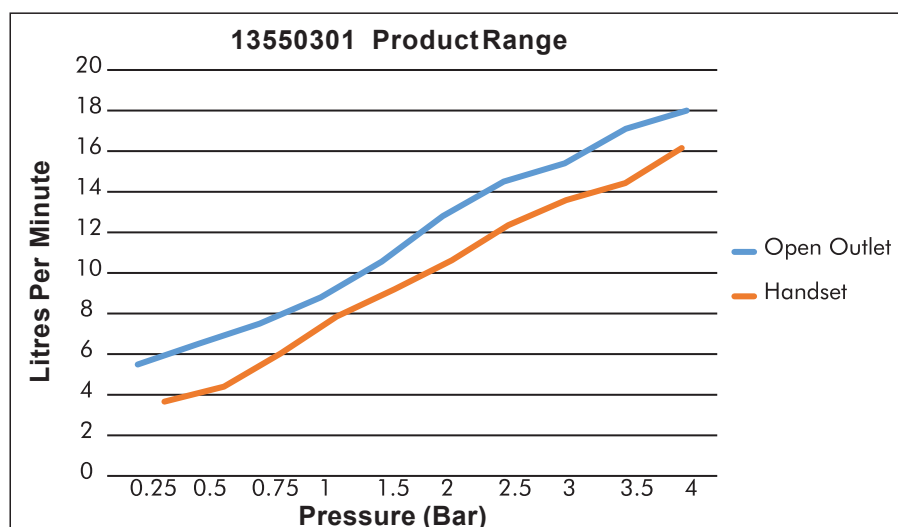
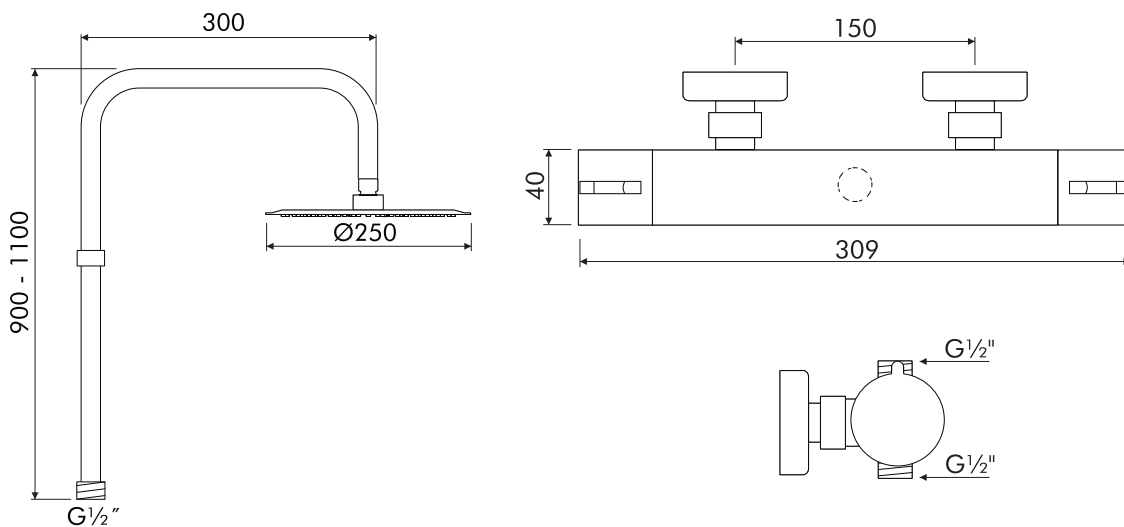


(Valve Only)



■ **Technical Specification**

Max Inlet Pressure (static)	5 Bar
Min Inlet Pressure (dynamic)	0.4 Bar
Max Inlet Temperature	60°C
Factory Pre-set Temperature	38°C with max temp stop
Inlet Connections	G 3/4" F BSP (valve body)
Outlet Connections	G 1/2" BSP
Min Temperature Differential Between Hot Inlet & Mixed Outlet To Achieve Cold Water Failsafe	15°C



(Valve Only)